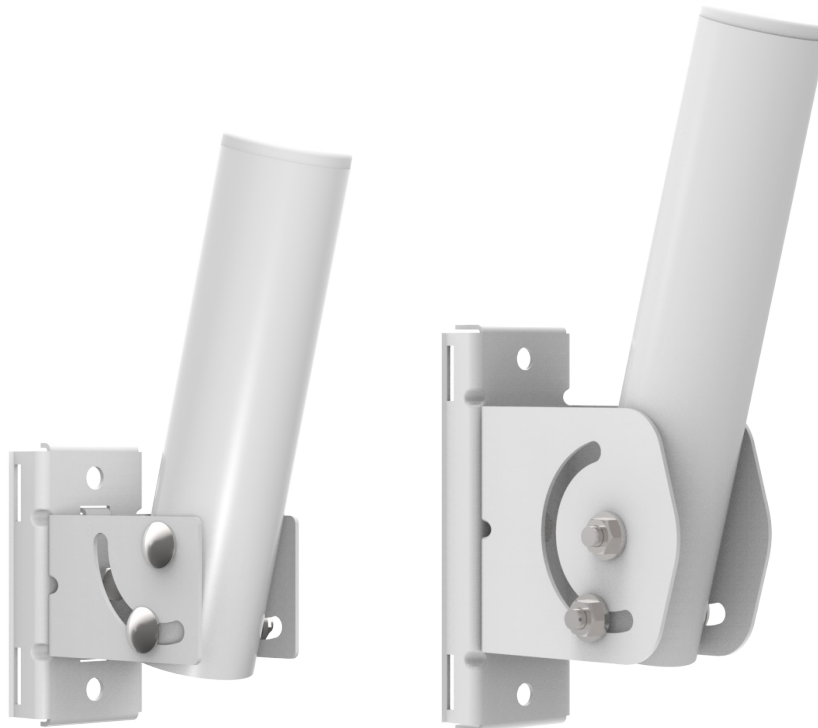


Mount Your Radios With Ease

FlexiMount + FlexiMount XL



FlexiMount

FlexiMount XL

The FlexiMount and FlexiMount XL are pole and surface mount accessories that accommodate both vertical and horizontal pole mounting applications, as well as basic flat wall mounting where minimizing the distance of the radio, relative to the wall, is important. Compared to the FlexiMount, the FlexiMount XL boasts a stronger, more heavy-duty design, a longer pole length and base, and an increased articulation angle of 180°.

Flexible

Suitable for vertical, horizontal, and angled poles, Mimosa's FlexiMounts are able to be mounted in any orientation.

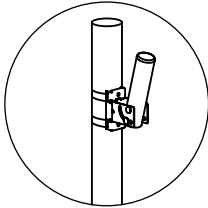
Ready-to-Use

Mimosa's FlexiMounts come preassembled, right out of the box. They are ready for any backhaul, access point, or radio to be attached to them.

Specifications

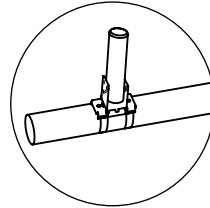
FlexiMount

- **Weight:** 0.43 kg (15.2 oz)
- **Mounting Base:** 45 mm (1.77") x 80 mm (3.15")
- **Pole Length:** 157 mm (6.2")
- **Pole Outside Diameter:** 38 mm (1.5")
- **Articulation Angle:** 105°
- **Mounting Options:** Pole mount with two pipe clamp, or surface mount with two screw hole points
- **Assembly:** Pre-assembled with a white powder coated finish; Mounting screws and pipe/hose clamps not included
- **Recommended For:**
C5x (native 8 dBi);
C5x + N5-X12 antenna;
C5x + N5-X16 antenna;
C5x + N5-X20 antenna



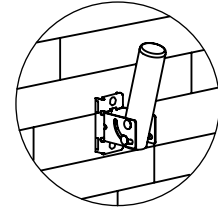
Vertical Poles

The FlexiMounts come assembled, ready for vertical pole configurations, using the indicated pipe clamp slots in the diagram above.



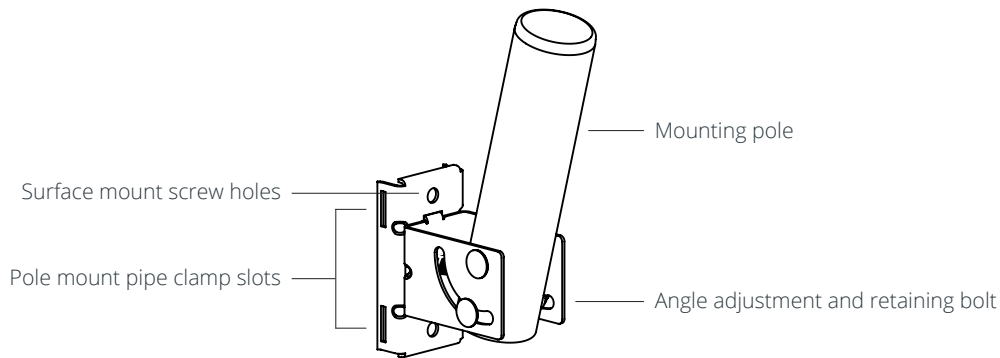
Angled and Flat Poles

The FlexiMounts can be mounted in any orientation on angled and flat poles. To pivot the articulation direction, rotate the mounting base to the desired orientation.



Flat Surfaces

The FlexiMounts include two (2) convenient mounting screw hole points, allowing mounting to any vertical, sloped or horizontal surface.



Mimosa Networks, a division of Airspan, is the global technology leader in wireless broadband solutions, enabling service providers to connect dense urban and hard-to-reach rural homes at a fraction of the cost of fiber. Mimosa Networks was acquired in 2018 by Airspan, the leading vendor of 4G/5G wireless densification solutions.