

30° Asymmetrical Beam Antenna

HORN ANTENNA WITH TWISTPORT™ CONNECTOR

30° Asymmetrical Horn TP Antenna combines the best of both worlds - high gain of a traditional sector antenna and zero side lobes of a horn. Its radiation pattern is wide in azimuthal and narrow in elevation plane, greatly improving coverage planning options. 30° Asymmetrical Horn TP Antenna exceeds the traditional patch sector antenna thanks to high stability of gain and radiation pattern in the whole band of operation. Outstanding noise rejection and precision of radiation pattern favors 30° Asymmetrical Horn TP antenna for high-density AP clusters, in highly populated areas and dense co-location sites.

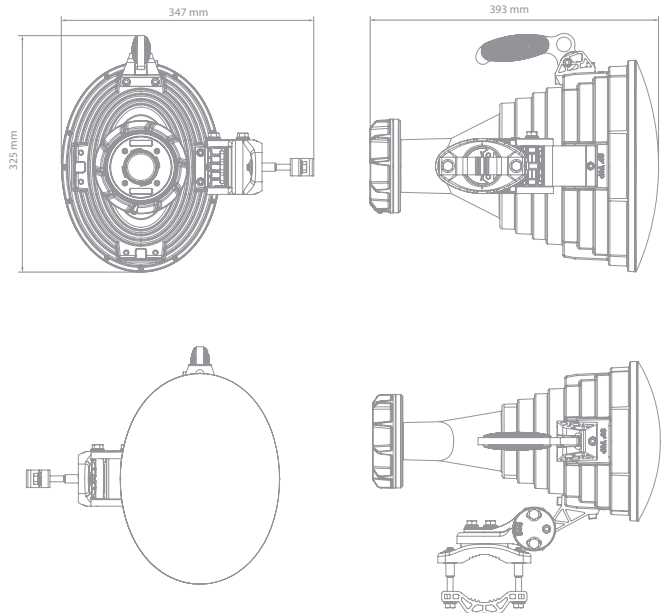
30° Asymmetrical Horn TP Antenna features our revolutionary TwistPort™ connector - a patent-pending twist-and-lock waveguide port. HG3-TP-A20-30 supports a wide range of third party mainstream radios with our TPA TwistPort™ Adaptor. BeamSwitch™ feature enables mounting the antenna with 90 degrees rotation by swapping the position of the handle and the bracket. HG3-TP-A20-30 can thus provide 20 degrees azimuth and 30 degrees elevation beam width.



TECHNICAL DATA

Antenna Connection	TwistPort™ - Quick Locking Waveguide Port
Antenna Type	Horn
Materials	UV Resistant ABS Plastic, Polycarbonate, HDPE, Aluminium, Stainless Steel
Environmental	IP55
Pole Mounting Diameter	22-80 mm
Temperature	-35°C to +55°C (-31°F to +131°F)
Wind Survival	160 km/hour
Mechanical Tilt	± 25°
Weight	4.2 Kg / 9.2 lbs – single unit* 6.3 Kg / 13.8 lbs – single unit incl. package*
Single Unit	Retail Box: 43.5 × 36.0 × 25.0 cm*

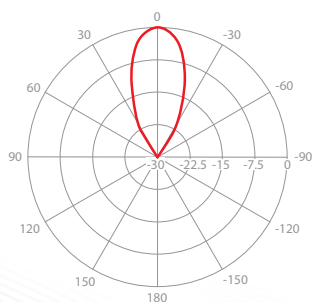
PRODUCT DIMENSIONS



PERFORMANCE

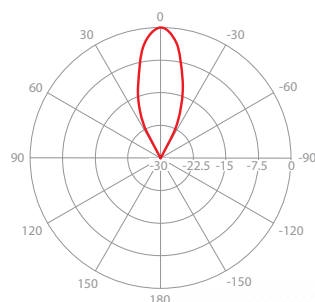
Frequency Range	5180 - 6000 MHz
Gain	20.5 dBi
Azimuth Beam Width -3 dB	H 21° / V 21°
Elevation Beam Width -3 dB	H 15° / V 15°
Azimuth Beam Width -6 dB	H 30° / V 30°
Elevation Beam Width -6 dB	H 20° / V 20°
Front-to-Back Ratio	35 dB

AZIMUTH PATTERN



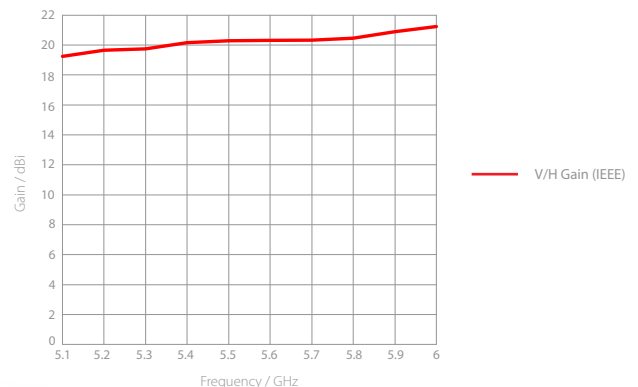
V/H - Port Pattern Azimuth 5.1 GHz

ELEVATION PATTERN



V/H - Port Pattern Elevation 5.1 GHz

GAIN



*Subject to change

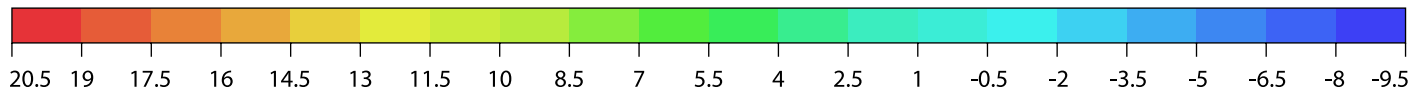
3D RADIATION DIAGRAM

SCALE: 30dBi

COMPATIBLE WITH: ADOBE ACROBAT READER DC. NOT SUPPORTED ON MOBILE.

USE MOUSE TO ROTATE THE DIAGRAM. SCROLL IN/OUT TO ZOOM IN/OUT

dBi



FRONT	BACK	RIGHT	LEFT	UP	DOWN
-------	------	-------	------	----	------